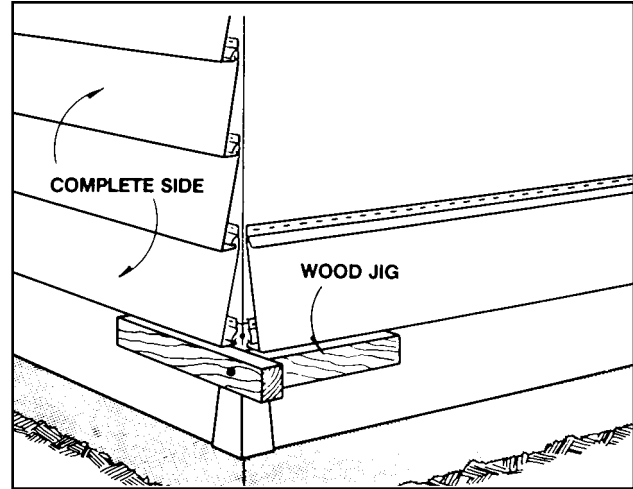


# Individual Corner Caps

Individual corner caps may be used for 8-inch horizontal lap siding instead of outside corner posts. The siding courses on adjoining walls must meet evenly at the corners. To allow room for the cap, install siding with 3/4-inch clearance from the corner.



## Installation

Complete one wall first. On the adjacent wall, install one course of siding, line the course up, and install the corner cap. Each corner cap must be fitted and installed before the next course of siding installed. A jig can be constructed to facilitate the alignment.

Install by slipping bottom flanges of corner cap up under the butt of each siding panel. Slight steady pressure should be used to press the cap in place. If necessary, insert a putty knife between the panel locks, prying slightly outward to allow room for the flanges to slip in. Gentle tapping with a rubber mallet and wood block can also be helpful. When cap is in position, secure with 2- or 2-1/2-inch nails, or long enough for 3/4 inch penetration into solid wood or sheathing. Nail through at least one of the pre-punched nail holes in the top of the corner cap. Note: Before securing corner, make sure butts of corner cap and siding panels are flush.

