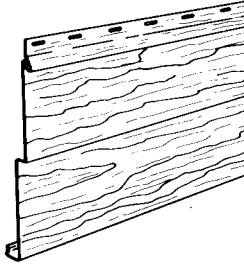


# Rollex Solid Steel Siding

## Styles and Accessories


**Double 4-Inch Horizontal Siding  
Timbertex Finish  
SD4HTP**



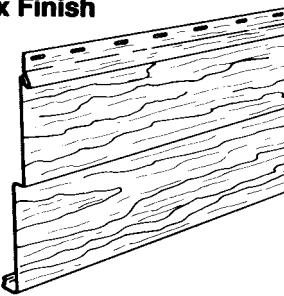
**Single 8-Inch Horizontal Siding  
Timbertex Finish  
S8HTP**



**12-Inch Vertical Board & Batten  
Timbertex Finish  
SVTP**

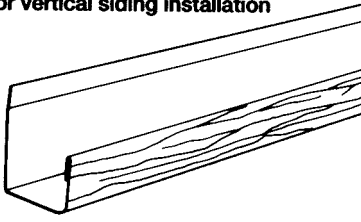


**Double 5-Inch Horizontal Siding  
Timbertex Finish  
SD5HTP**



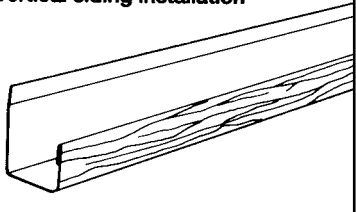
**J-Channel 1 1/8" Striated Finish  
SE18P**

- for horizontal siding use around doors and windows
- for vertical siding installation



**J-Channel 3/4" Striated Finish  
SE12P**

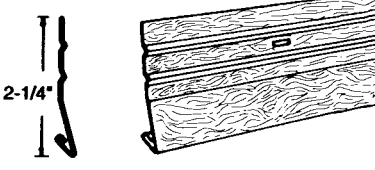
- for horizontal siding, use around doors and windows
- for vertical siding installation



**Siding Starter Strip  
Striated Finish  
STEELSSV**

- use to start first course of siding to wall

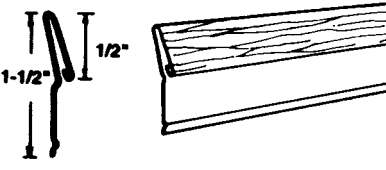
2-1/4"



**Undersill Trim  
Striated Finish  
SUSMP**

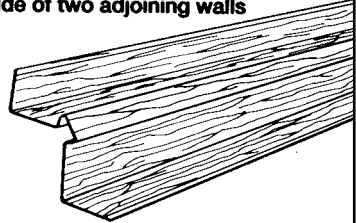
- for under windows and doors and for last course

1-1/2"



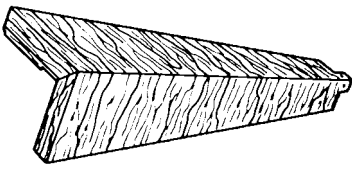
**Inside Corner Post 1 1/8" Striated Finish  
SICP1 1/8P**

- 1 1/8" post for use with horizontal and vertical siding inside of two adjoining walls

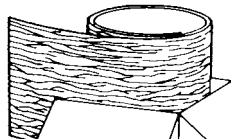


**8" Individual Corner  
Timbertex Finish  
SICTP**

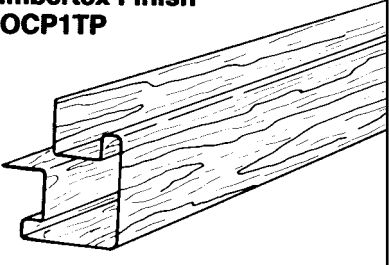
- Alternative to outside corner post for 8" horizontal siding



**Trim Coil  
Striated Finish  
18" x 50'  
SI8TCP**



**Outside Corner Posts 1" Timbertex Finish  
SOCP1TP**



**Backer Tabs Striated Finish  
SB20**

- Provides support for 8" siding at panel overlaps and behind panels at corners to assure smooth installation

