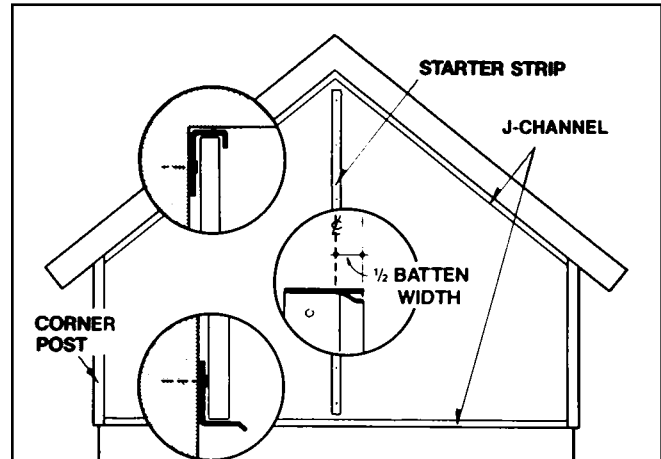


Rollex Vertical Steel Siding

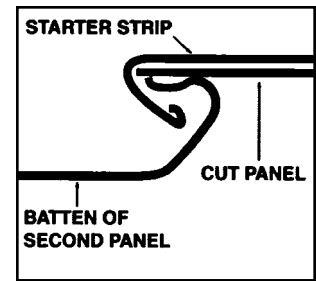
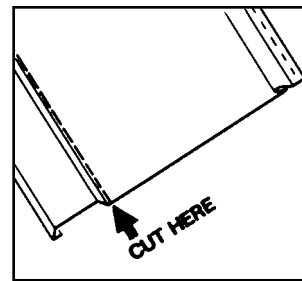
Application

Vertical siding is used both for an entire installation and as a contrast to horizontal siding, especially on gable ends. Most procedures outlined for horizontal siding are generally the same for vertical siding except that the starter strip is applied vertically and panels interlock in a vertical position



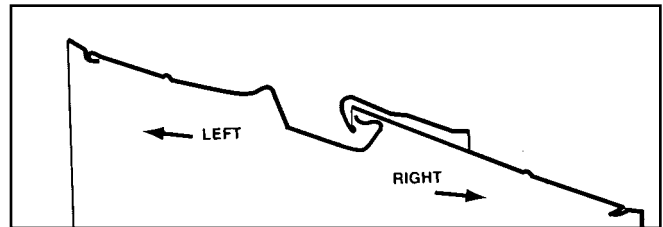
Accessories and Starter Strip

Snap a chalk line, which is parallel to the eaves or the window heads, along the base of the house as a guide for applying J-channel. Apply J-channel under the eaves. Add outside corner posts as required. Windows and doors are trimmed with J-channel on the sides and under sills with J-channel being used at the windows heads. To locate the starter strip, drop a plumb line from the gable peak off-center by one half the width of a vertical panel batten, and mark a chalk line. The starter strip bottom edge is nailed to this line (see drawing). The raised batten will now be correctly centered for best appearance.



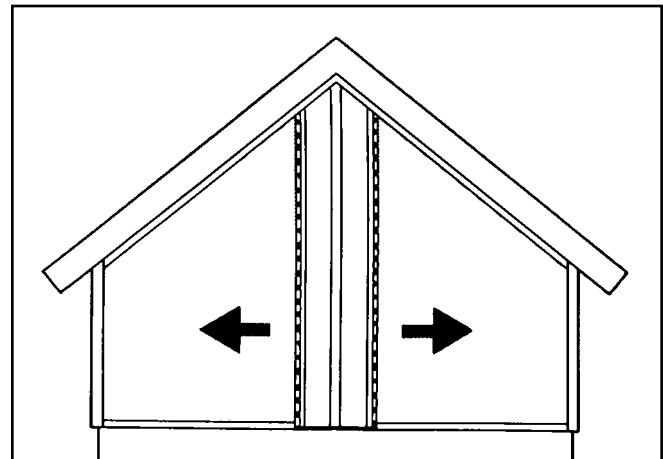
First Panel

Measure and GUI the first panel to correct length. Cut the batten edge off this panel. Slip the cut edge under the starter strip and nail panel through slotted nailing flange. Cut the other panel to correct length, and engage batten flange in starter strip and nail panel (see drawing).



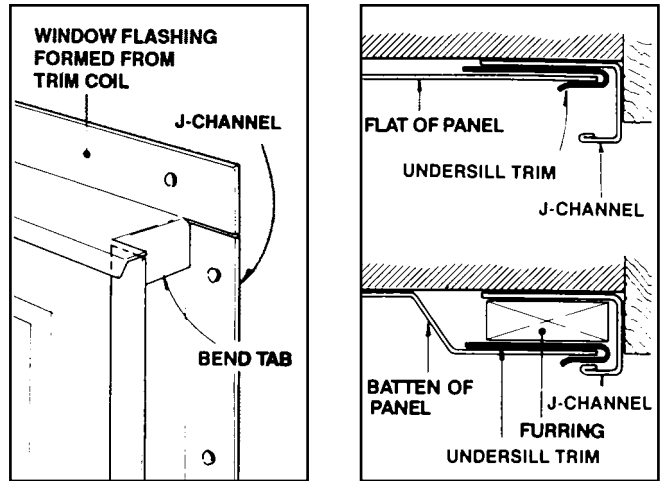
Remaining Panels

It will now be possible to continue the installation working in both left and right directions from these two initial Center panels (see drawing), which makes for an even-spaced batten appearance when there is a gable. An alternative way to install the starter strip is to nail it plumb at the corner and install panels working from one direction.



Doors and Windows

Panel fitting around door and window trim is similar to that shown for horizontal siding. The cut edge of the vertical panel is capped with window flashing formed from trim coil and inserted into a J-channel. Furring out may be required, depending on where the cut is made (for instance, if the cut is made in the batten portion of the panel). The procedure at inside and outside corners would also be the same as for horizontal siding. The undersill trim must be nailed before installing the vertical panel. It can be held in place with gutterseal mastic in the undersill trim.



Narrow Cut Panels

When panels are cut narrower to fit into corners, at the end of a run for example, the raw edge can be trimmed using all-purpose trim in combination with gutterseal mastic

