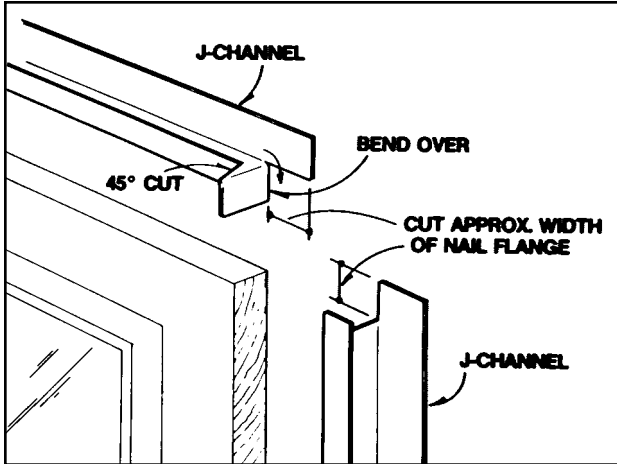
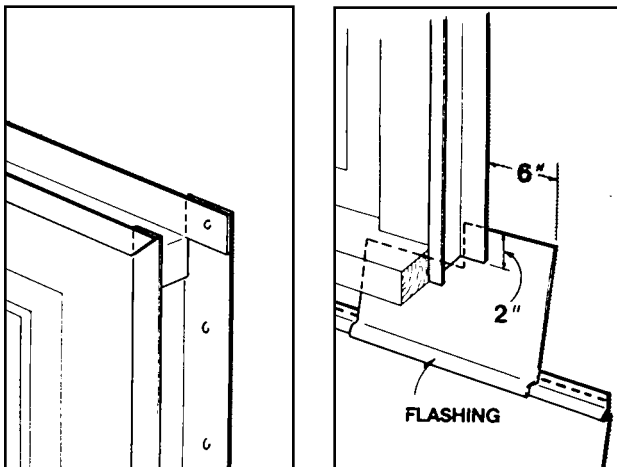


Window and Door Trim - Gable End Trim



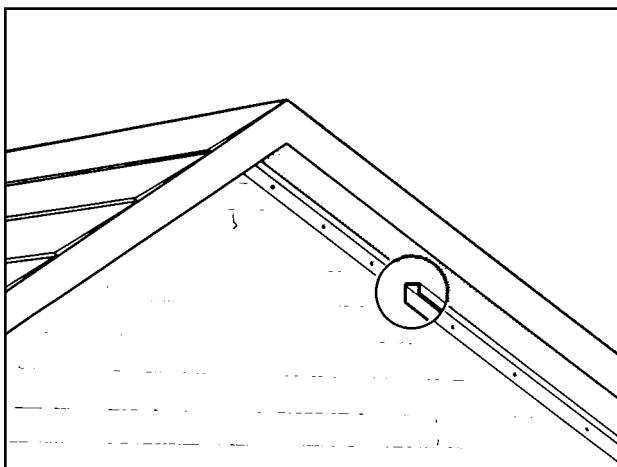
Trim

J-channel is used around windows and doors to receive siding. Side J-channel members are cut longer than the height of the window or door, and notched at the top as shown. Notch the top J-channel member at a 45 degree angle and bend tab down to provide flashing over side members. Caulking should be used behind J-channel members to prevent water infiltration between window and channel.



Flashing

To further prevent water from getting behind siding, a flashing piece is cut from coil stock and slipped under the base of the side J-channel members, and positioned so as to lap over the top lock of the panel below. (see sketch)



Gable Ends

Before applying siding, J-channel should be installed to receive siding at the gable ends. Where the left and right sections meet at the gable peak, let one of the sections butt into the peak with the other section overlapping. A miter cut is made on the face flange of this piece for better appearance. All old paint build-up should be removed before installing J-channels. Nail every 12 inches with galvanized steel nails.