

R O L L E X

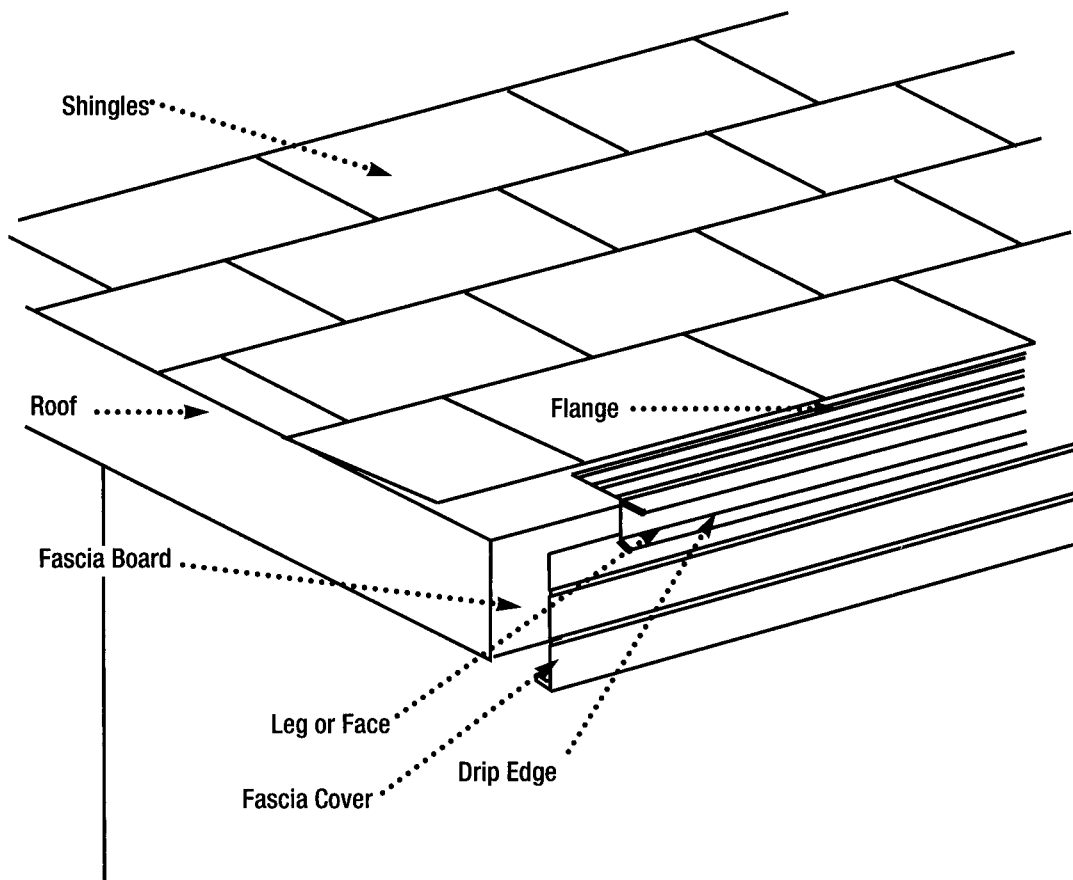
Application Instructions for Overhang Drip Edge

PREPARATION

- 1) Position drip edge flange on roof edge, making sure that the face or leg is flush to the fascia board and “drip edge” is facing away from roof. Do not butt lengths of drip edge against one another. Leave 1/16 in. between lengths or overlap by 1 1/2 in.
- 2) Drill holes **slightly larger than nail shank** in the drip edge flange. Nail to roof per nailing instructions below.

NAILING INSTRUCTIONS

- 1) Always use aluminum nails that can penetrate a minimum of 3/4 in.



- 2) Nails **must not be driven home**. The drip edge must be “hung” not “attached”. Allow 1/32 in. clearance for movement due to temperature changes.

- 3) First nail should not be less than 4 in. from end of the drip edge.

- 4) Drive next nail approximately 18 to 24 in. away and continue nailing allowing the last nail to be not less than 4 in. away from the end of the drip edge.

Note: Shingles are installed over the drip edge covering the flange.